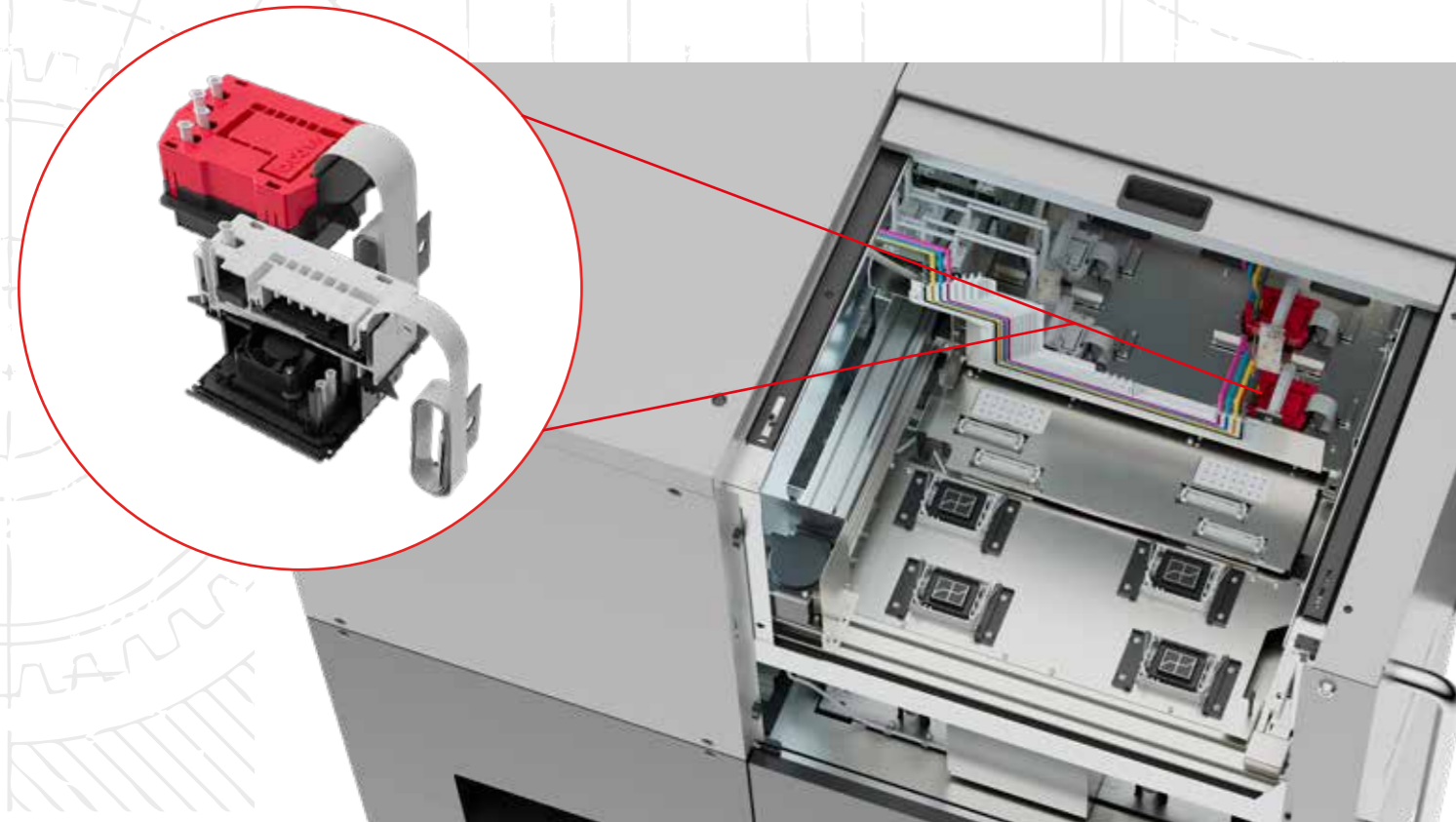


Built for industrial-level performance

Processing mass volumes of printed garments requires equipment that can meet the dual challenges of high-quality design reproduction and industrial level activity. For this purpose we want to introduce the GTX600 to you, the newest GTX ensures a smooth, highly professional and unique workflow with its many advantages and should therefore be the new member of your company.

-  **Bulk ink system**
filter and degassing of all inks
-  **Steel frame and platen screw drive**
for speed and long-term durability
-  **Industrial maintenance station**
to enable continuous print operations
-  **Scalable footprint**
grow based on your business needs
-  **Built in humidifier**
maintain machine inner humidity that helps keeping heads in good condition
-  **White ink recirculation**
in four key areas keeps the ink in a print ready state
-  **4 industrial printheads**
with internal cooling fans for longer, continuous print operation



Specifications

Print Method	Direct to garment printer
Machine Size	186cm x 192cm x 146cm (Platen loading) 186cm x 206cm x 146cm (Platen unloading)
Machine Weight	approx. 730kg (Platen included)
Platen Sizes	Maximum Print Size is 24" x 24" (61.0cm x 61.0cm)
Included Platen Size	14" x 16" (35.6cm x 40.6cm)
Ink Type	Water-based pigment ink
Ink-Head Type	On demand piezo head with fan inside
Number of Ink-Heads	4 print heads / 16 ink channels
Print Resolution	1,200dpi x 1,200dpi (HQ & Standard), 1,200dpi x 900dpi (Fast), 1,200dpi x 600dpi (Draft)
Print Mode	Single or double for CMYK. Underbase and highlight for white
Environment	Standby Conditions: 10-35°C, 20-85% Operating conditions: 18-30°C, 35-85%
Data output	Printer driver (USB, File output, LAN)
Power supply	AC 200V-240V (±10%), 50/60Hz(± 1Hz)
Power consumption	5A (average) (Reference: 2A during printing)
Ink cure	Heat press machine can be used at 180°C (356°F) and 35 seconds duration. For higher volume production, a conveyor oven is recommended to be used at 160°C (320°F) for three and a half minutes. Time and temperature may vary depending on which manufacturer's dryer is used.
Pre-treatment	Before printing, apply pre-treatment using either a manual or automatic device and then dry garment using a heat-press, being sure to follow all manufacturer's instructions. Pre-treatment is necessary for white ink.
OS	macOS 10.15 Catalina, macOS 11.0 BigSur Windows 10 (64bit)
Interface	LAN, USB Function, USB Host
Platen transport system	AC servo motor with screw driver and solid linear rails Electronic platen height adjustment and automation availability Dual platen height [high/low] sensors for optimal print height
Industrial maintenance system	Four automatic wet suction caps Four wet wiper blade systems
Environmental print system	Internal thermostat and hygrometer Integrated evaporated humidifier to control internal humidity level. 6 fans mist gathering system below the platen
Optional Accessories	3 Color status light
Driver operating conditions	2GHz CPU (minimum recommendation) 8GB RAM (minimum recommendation)
Display resolution	SXGA(1280x1024) (minimum recommendation)
Recommended applications	Adobe® Photoshop CC Adobe® Illustrator CC CorelDRAW® 2020/2021 (Windows)
Warranty	Mechanism : 1 year or 100,000 prints whichever comes first. Print Heads : 1 year or 30,000 prints whichever comes first.

THE NEXT BIG THING IN MASS PRODUCTION



GTX

GTX600



brother

Brother Machinery (Asia) Limited
17/F, Fugro House – KCC 2, No. 1 Kwai On Road
Kwai Chung, New Territories, Hong Kong SAR, China
Phone: (852) 2777-0010
Email: ap.gt@brother.com.hk



brother
at your side



Get more done in 8h with the GTX600

Based on recent experience in real productions.

420-460 dark shirts

1 Brother GTX600
1 Pretreatmaker
2 Heatpress

1260-1380 dark shirts

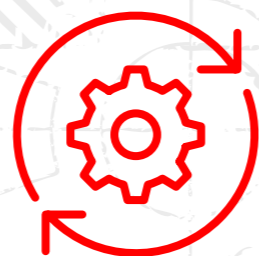
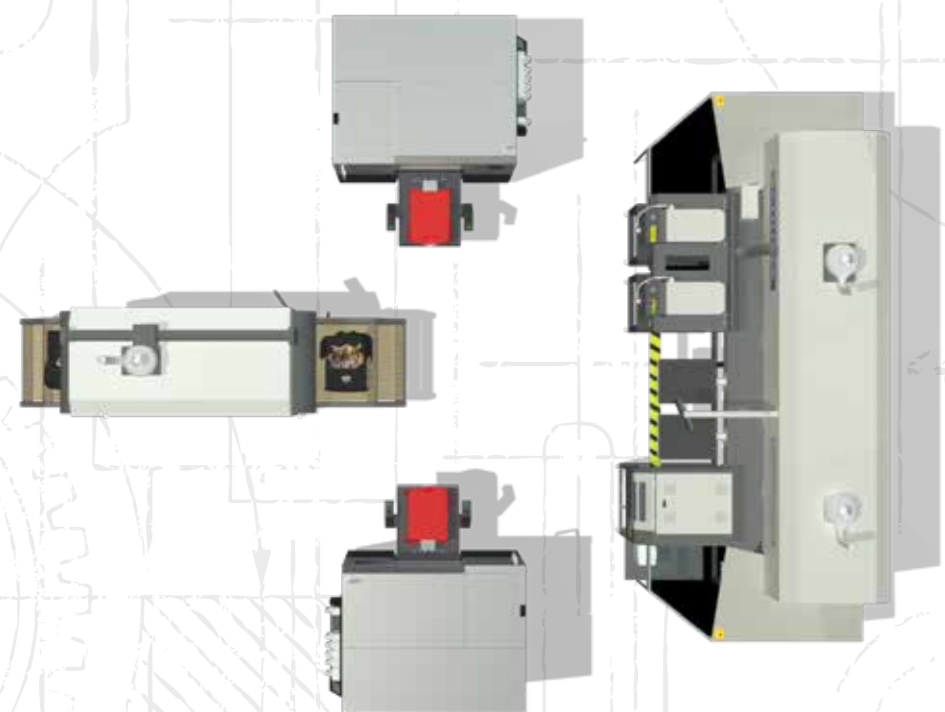
3 Brother GTX600
1 Tunneldryer
1 Pretreatmaker LINE

840-920 dark shirts

2 Brother GTX600
1 Tunneldryer
1 Pretreatmaker LINE

1680+ dark shirts

4+ Brother GTX600
1 Tunneldryer
1 Pretreatmaker LINE



Engineered for leading performance

User experience is becoming more important than ever, a machine should not only function perfectly but also be able to adapt to the needs of its user. Above all, it should be easy to use, to ensure a safe and smooth workflow to provide the highest profit. That's why our GTX600 offers many beneficial features in order to guarantee this.

- Quick platen change with variety of sizes
different platens for endless possibilities, up to 24" x 24" (61cm x 61cm)
- Auto selectable platen height
adaptable for many materials heights
- Engineered for operators
easier to use, even suitable for operators with minimal experience
- Bulk ink and consumables manufactured by Brother
to ensure a consistent, high quality



At your side for a better future

Environmental friendliness and sustainability are important issues in many areas. We at Brother want to do our part by offering solutions that limit the environmental impact and therefore create a better tomorrow for everyone. However, we also want to maintain our quality standards and have thus come up with a variety of new technologies and possibilities to maintain them.

- Reduced Ink waste
with wet capping and inside print head circulating technology
- Less maintenance parts needed
Frequency of maintenance parts exchange got reduced
- Waterbased innobella textile ink
GOTS 6 & CPSIA approved, Oeko-tex passport certified
- Build in mist filter
will ensure a secure working environment for operators
- Reduced packaging waste
Ink available in 9L (CMYK) or 18L (CMYKW) bottles



Specified values may vary. Equipment used is only a recommendation. Double production capacity compared to the GTXpro in case of 900dpi mode and due to improved maintenance interval.